

**CITY OF CAPE CORAL
REQUEST FOR SOLE SOURCE/SINGLE SOURCE PURCHASE**

Requesting Department: Utilities / Water Reclamation 7/15/2024

Vendor Name: FJ Nugent & Associates (Brad Trautman)

Address: 411 Wylly Avenue, Sanford, Florida 32773

Phone: (407) 936-1139 E-Mail: lmeyers@nugentco.com

Price: \$40,882.00

Description of item to be procured:
Roto Progressive Cavity (PC) pumps for Biosolids Swwrf

1.) Uniqueness of vendor's item/service: How is this vendor uniquely qualified to provide the product/service:

FJ Nugent & Associates are the appointed Roto Pumps NA Representative and sole source for the State of Florida including sales, service and parts.

2. Market Research: Describe other, similar sources or products available in the market, if any, and why they are not acceptable:

The Water Reclamation Division utilizes Roto PC pumps to pump sludge from the waste tanks to the Andritz centrifuge for dewatering. There are other companies that provide PC pumps, but quotes obtained FY2023 determined Roto was the most cost effective. The yard piping will be converted to Roto for uniformity.

3. Proposed Actions: Describe the actions the department will take to overcome the present barriers to competition for any future acquisition of this product or service:

We will continue to stay informed of advancements in emerging and available components, processes, and equipment capable of meeting the needs of Utilities and the Community and include evaluations of different manufacturer's products as appropriate for future projects.

Department Director's Signature:  Date: 7/18/24

Approval: Procurement Manager:  (not to exceed \$50,000) Date: 8/2/24

Approval: City Manager: _____ (not to exceed \$100,000.00) Date: _____

Council authorization required if exceeding \$100,000.00

Revised 1/6/20 - Per Ordinance #52-19, Article VII: Purchase and Sale of Real and Personal Property. Adopted 12/02/2019



Roto Pumps North America
300 Springhill Farms Road
Suite 106
Fort Mill, SC 29715
sales@rotopumps.us
www.rotopumpsna.com

January 19, 2024

City of Cape Coral Utilities
1740 Everest Parkway
Cape Coral, FL 33904

Dear Mr. Walter:

The appointed Roto Pumps NA Representative and sole source for the State of Florida including sales, service and parts is FJ Nugent & Associates, Inc. Please contact them for pricing, information or any other assistance you require.

FJ Nugent & Associates, Inc. 269 Hunt Park Cove Longwood, FL 32750 Phone: 407-936-1139 Fax: 407-936-1640
E-Mail: fred@nugentco.com

Sincerely,

Chris Davis

Director of Sales

Moving Fluids Positively...



Roto Pumps North America, Inc.
300 Springhill Farms Road, Suite 106
Fort Mill, SC, 29715-9802



TO: Michael Ilczyszyn, City Manager
Mark Mason, Financial Director
Wanda Roop, Financial Services Director

FROM: Jeff Pearson, Utilities Director

DATE: August 5, 2024

SUBJECT: Sole Source Purchase of FJ Nugent Roto Progressive Cavity Pumps

Background:

FJ Nugent & Associates Inc. is the appointed Roto Pumps NA representative and sole source provider for the State of Florida including sales, service, and parts for Roto Pumps. The Southwest Biosolids Facility utilizes these pumps to provide waste sludge for dewatering. This equipment is critical to the operation of the City's water reclamation process.

Recommendation:

The Water Reclamation Division recommends a purchase order be issued in the amount of \$40,882.00 for FJ Nugent, including shipping to purchase one (1) Roto Progressive Cavity (PC) pump, plus installation, for the Southwest Biosolids Facility.

Funding Availability:

Funds have been budgeted in fiscal year 2024 and are available in Tyler Capital Equipment Account #400-36017-56410 in the amount of \$40,882.00.

JP/ap: (Sole Source Purchase of FJ Nugent Roto Progressive Cavity Pumps)

C: Jeff Walter, Water Reclamation Manager
Michael Murphy, Electrical/Instrumentation Supervisor

PROPOSAL

Date: 7-9-24

Attn: Brad Trautman City of Cape Coral Reuse/Residuals Coordinator
btrautma@capecoral.gov City of Cape Coral Utilities Department
 1750 Everest Pkwy, Cape Coral, FL 33915-0027 Ph: (239) 465-8735

Project: Roto Progressive Cavity pumps for biosolids at SW WRF

Thank you for the opportunity to propose another Roto progressive cavity pump for your Biosolids / Centrifuge feed project at SW WRF.

The Roto pump include the KWIK wear compensation plugs, Maintenance-in-place and dry run (thermal) protection that you spoke with Chris from Roto at FWRC.

Roto Pump Model Number: RLC K671 PC pump:

Pump Parameters:

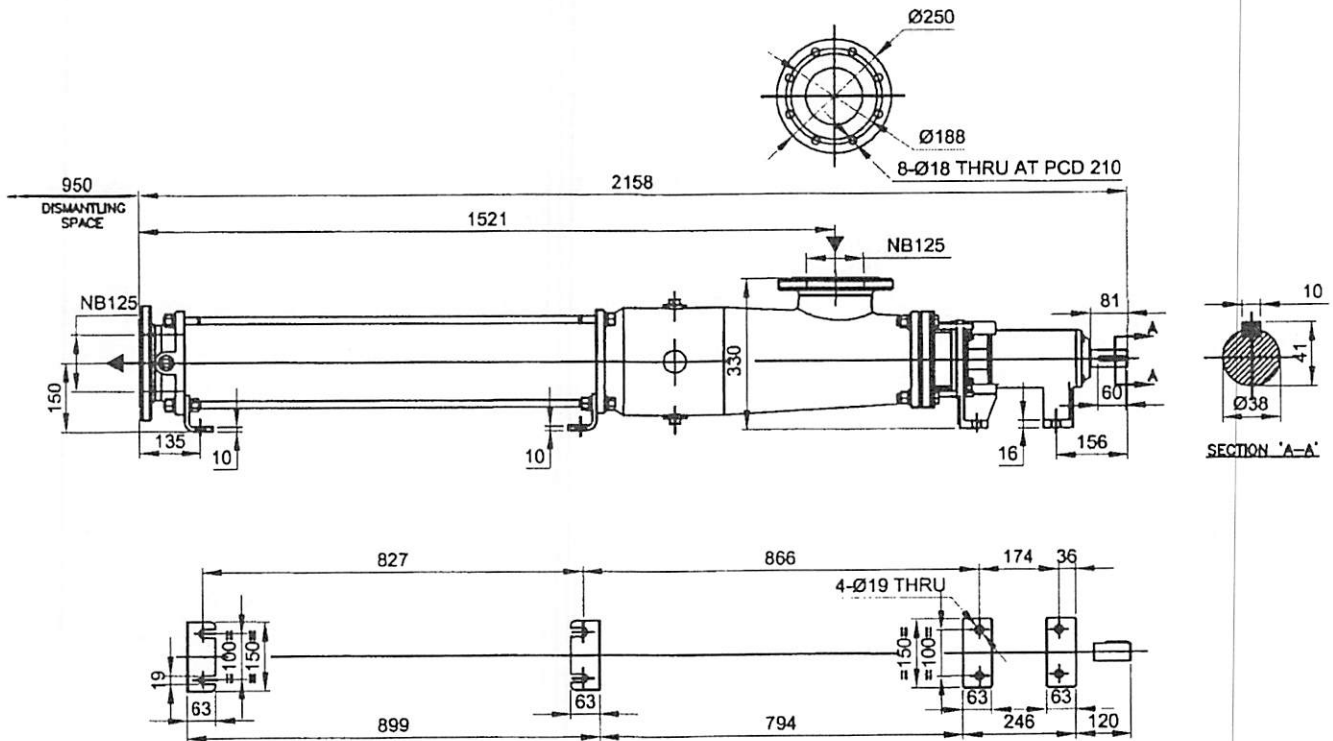
Material	WW
Specific Gravity	1
pH	7
Suction	Flooded
Flow	150-280 gpm
Pressure (discharge/differential)	20 psi / 20 psi
NPSHa	20.4
NPSHr	6.61
Speed	131-237 rpm
Gear Ratio	7.63
P1	4.98-7.31 Hp
Volumetric efficiency	98%
Motor Size	15 Hp
Starting method	VFD
Gearmotor	Nord 1750 rpm (460/3/60)
Starting Torque	350 ft lb
Drive Type	Close coupled
Rotation	CCW (from drive end)
Suction inlet	5" (125 mm) ASME B16.1 125#/FLAT
Discharge	5" (125 mm) ASME B16.1 125#/FLAT
Pump housing	Cast Iron
Rotor	Hard Chrome plated Tool Steel
Shaft	Alloy Steel
Coupling	Cardan Joint (5-year warranty)
Shaft Seal	316 SS, Viton elastomer, SiC/SiC faces
Base Plate	Hot dipped Galvanized



Please refer to literature and drawings for additional information

Note: Includes 3-year factory warranty

- : **Hydro Test (Performance, Vibration, Noise)**
- : **MIP (maintenance-in-place)**
- : **KWIK wear compensation stator**
- : **Dry Run Protection device (temp sensor and display)**



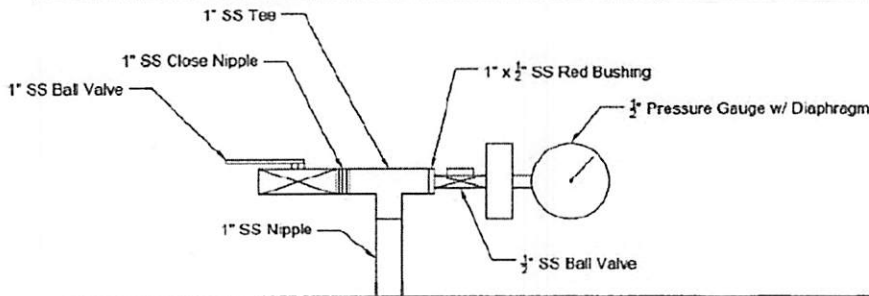
Pump mounting Dimensions (baseplate) 80 1/2" L x 13 3/8" W

Roto RLC K671 15 Hp PC pump

\$ 19,824 / ea

316 SS Gauge guard and pressure gauge with ball valve to bleed off air \$ 617 / ea





ROTO PUMP

Total for 3rd PC pump, installed with 0-60 psi glycerin pressure gauge w/ guard & SS ball valve **\$ 20,441**

Installation by Precision Lift Stations.

- Note:** Prices do not include taxes, installation, gauges, drives, piping nor any items not specifically listed in this proposal.
Terms: Net 30 days, Proposal is valid for 45 days.
Freight: Freight allowed to jobsite.
Delivery: Approximately 6-8 weeks ARO

Thank you for the opportunity to quote on this project.

Please contact us with any questions.

Sincerely,

Accepted by: _____

Tom Meyers
 SWFl Sales Engineer
 (239) 224-8422 tom@nugentco.com

Date: _____

